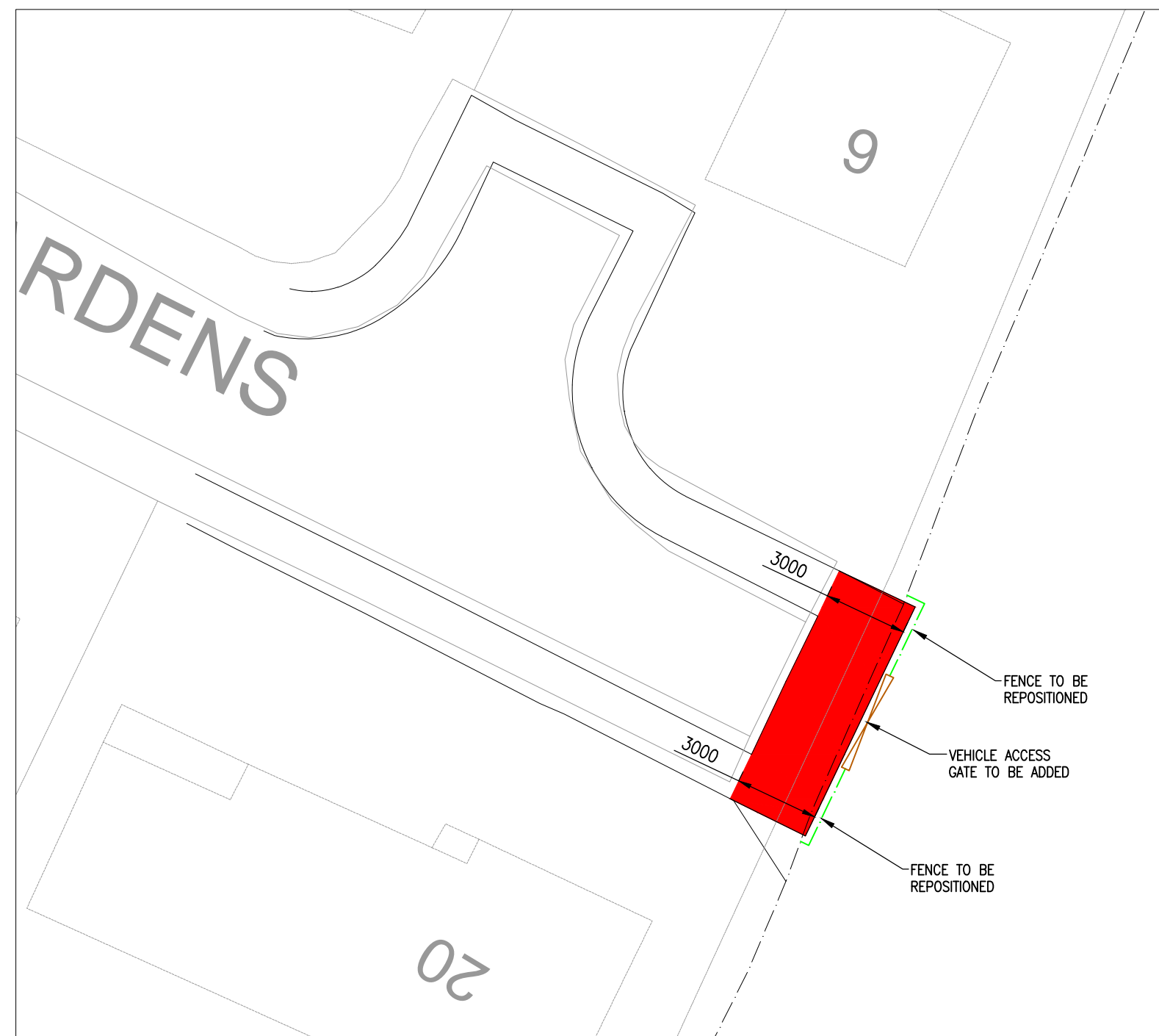
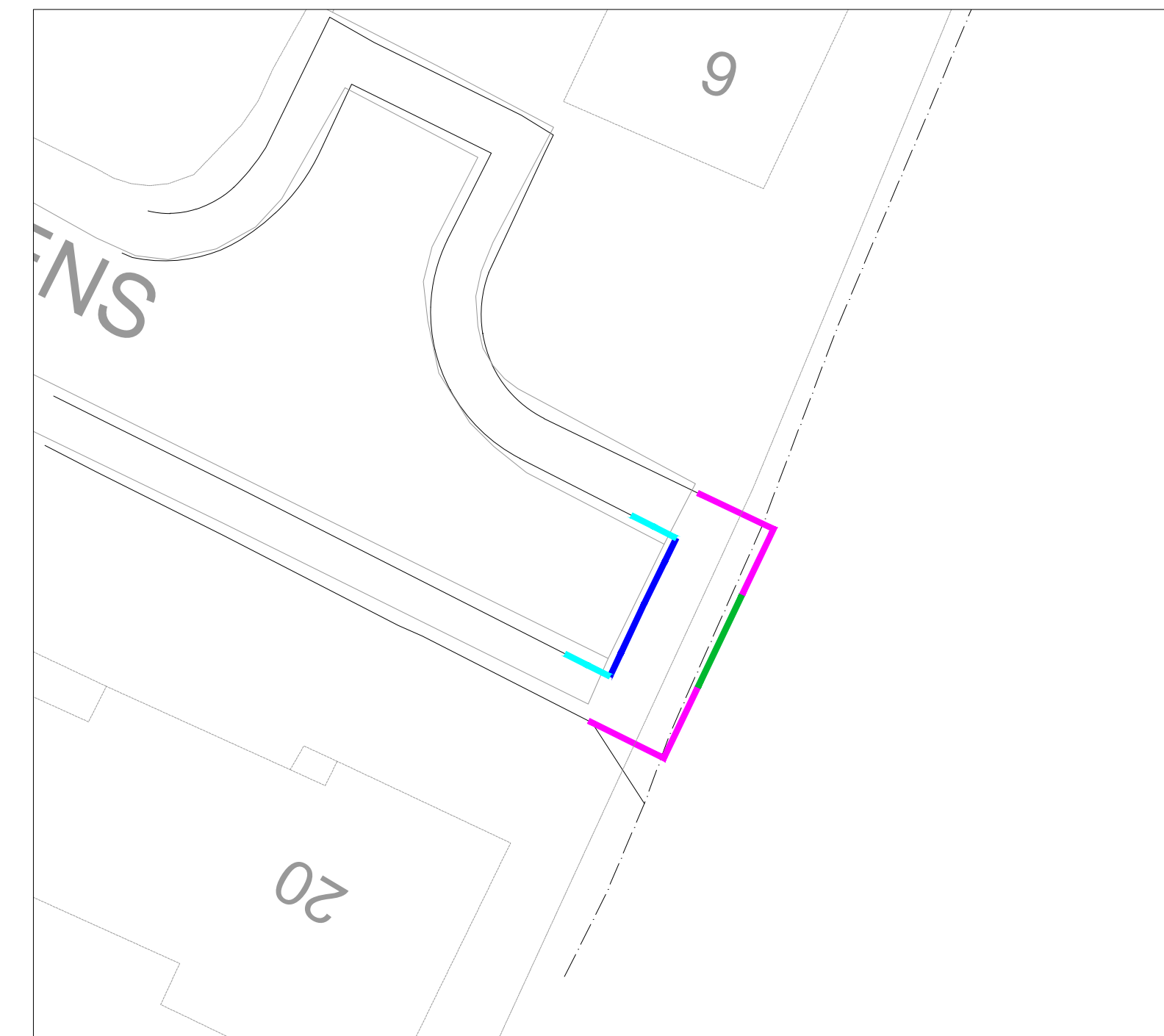


**SITE LOCATION PLAN**  
SCALE 1:1000



**MMEADOWBANK GARDENS**  
**SITE LAYOUT**  
SCALE 1:200



**MEADOWBANK GARDENS**  
**KERB TYPE LAYOUT**  
SCALE 1:200

Do not scale from this drawing.

**SAFETY HEALTH AND ENVIRONMENTAL INFORMATION**

IN ADDITION TO THE HAZARD/RISKS NORMALLY ASSOCIATED WITH THE TYPES OF WORK DETAILED ON THIS DRAWING, NOTE THE FOLLOWING RISKS AND INFORMATION.

RISKS LISTED HERE ARE NOT EXHAUSTIVE. REFER TO DESIGN ASSESSMENT FORM NO.

**CONSTRUCTION**  
NO SIGNIFICANT RESIDUAL HAZARDS WERE IDENTIFIED THAT A COMPETENT CONTRACTOR WOULD NOT BE AWARE OF.

**DEMOLITION**  
NOT APPLICABLE.

FOR INFORMATION RELATING TO USE, CLEANING AND MAINTENANCE SEE THE HEALTH AND SAFETY FILE

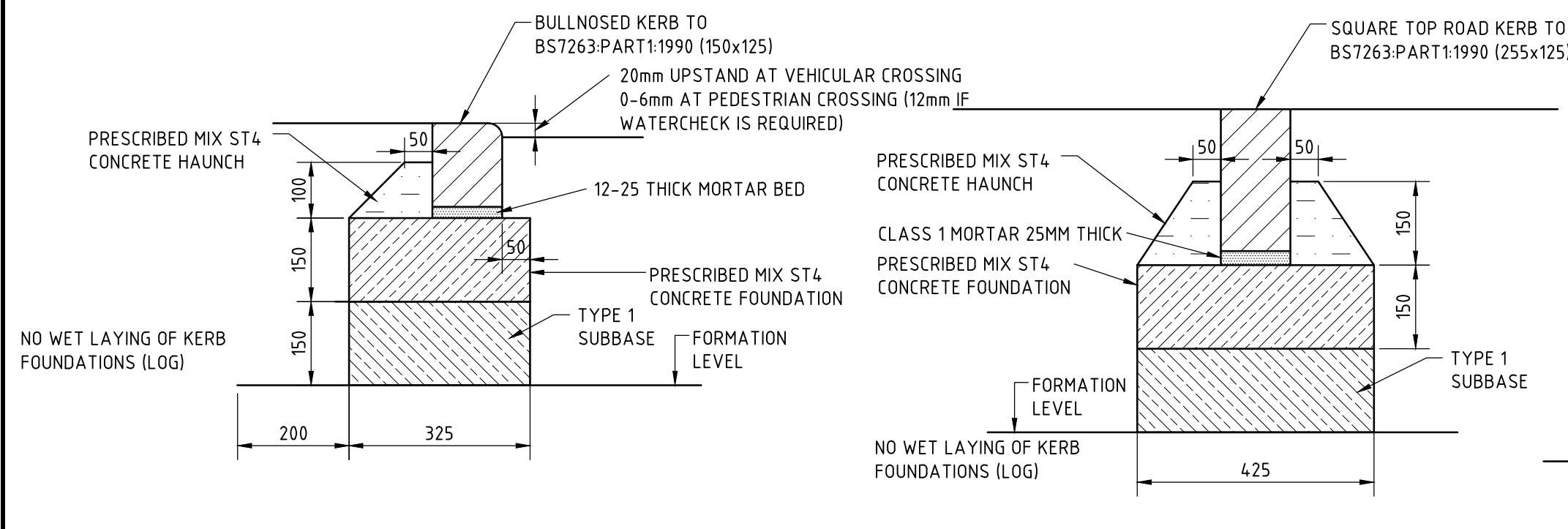
IT IS ASSUMED THAT ALL WORKS WILL BE CARRIED OUT BY A COMPETENT CONTRACTOR WORKING, WHERE APPROPRIATE, TO AN APPROVED METHOD STATEMENT.

**LEGEND**

- BULLNOSED ROAD KERB - DETAIL B
- FLAT TOP ROAD KERB - DETAIL C
- TAPER ROAD KERB
- FLAT TOP EDGING KERB - DETAIL D
- AREA OF FOOTWAY TO BE ADOPTED BY ANGUS COUNCIL

**ADOPTION LEGEND**

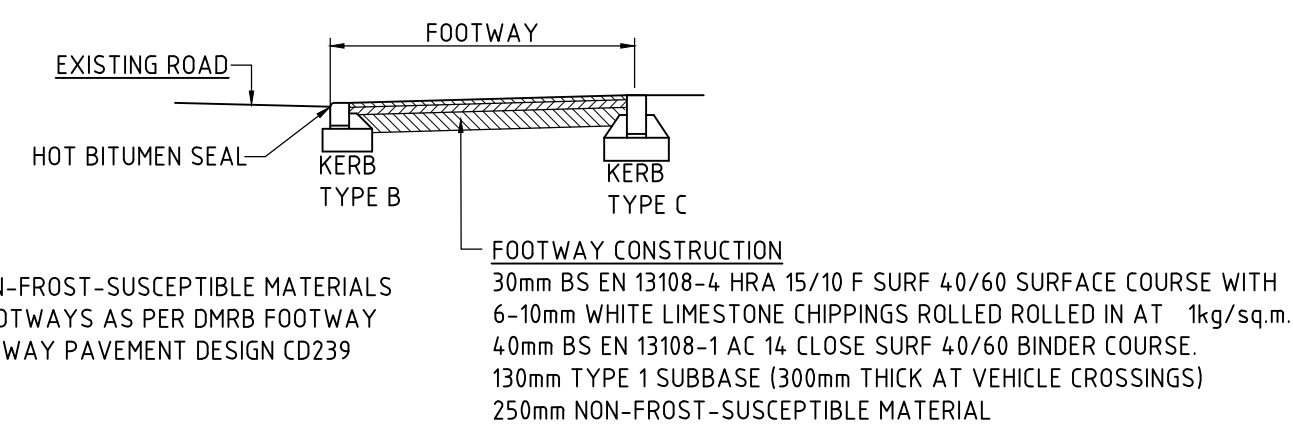
- BITMAC FOOTWAY



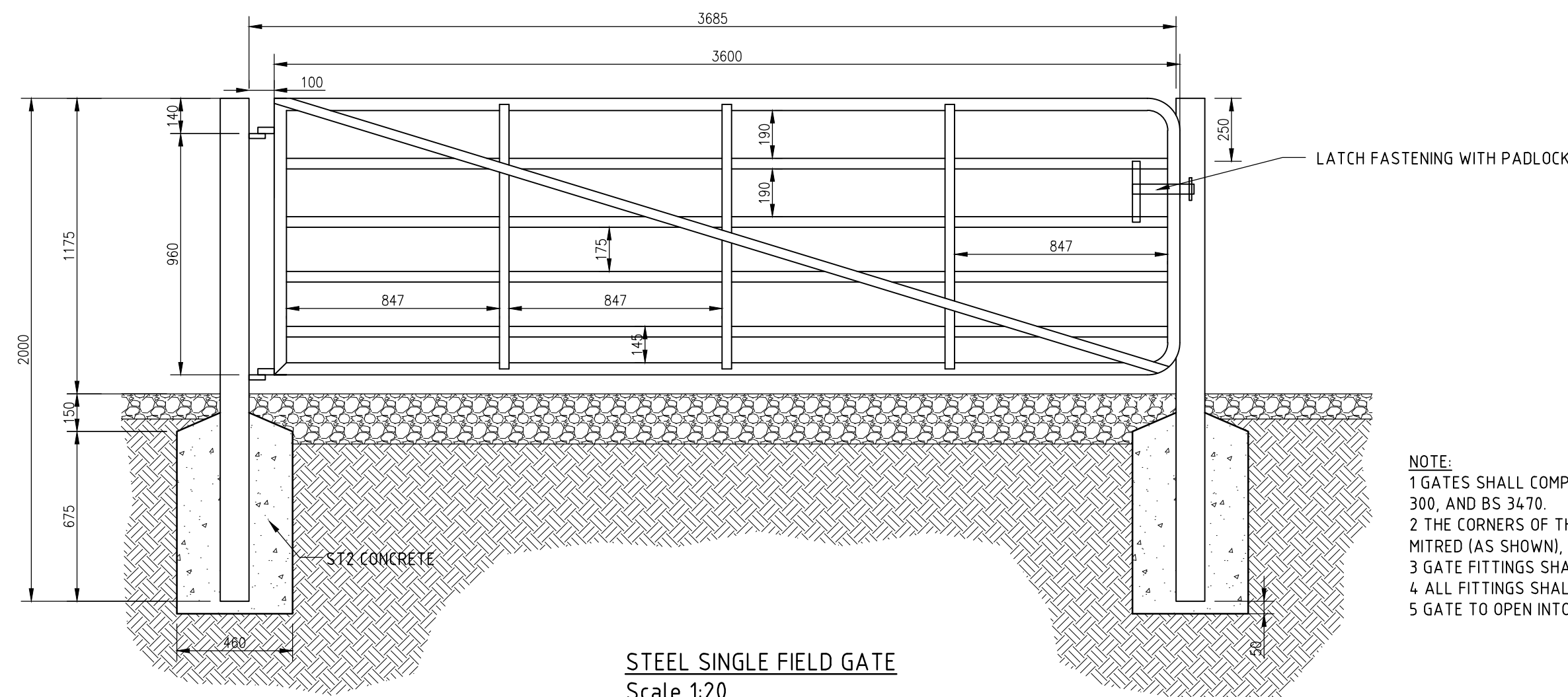
**BULLNOSED ROAD KERB DETAIL B**  
SCALE 1:10

**FLAT TOP ROAD KERB DETAIL C**  
SCALE 1:10

**FLAT TOP EDGING KERB DETAIL D**  
SCALE 1:10

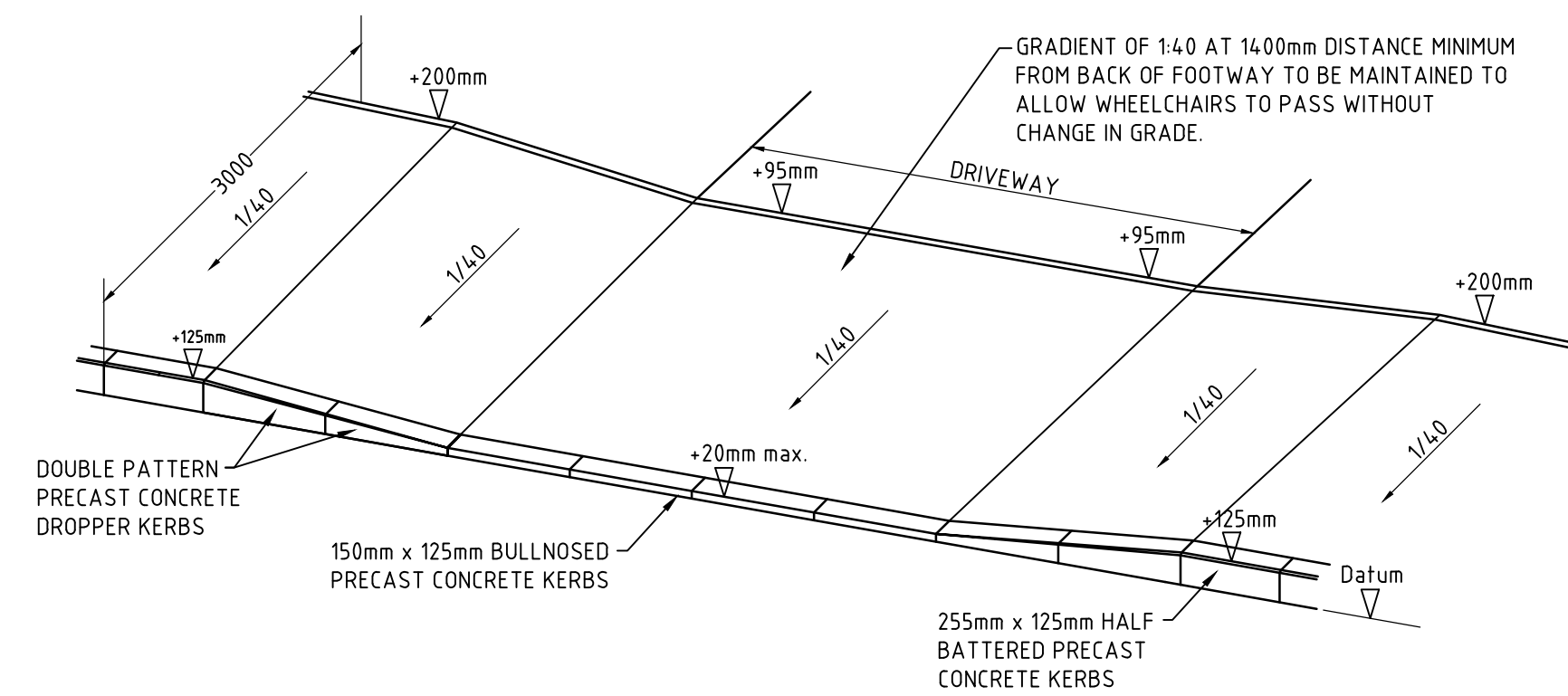


**FOOTPATH CROSS SECTION**  
SCALE 1:50



**STEEL SINGLE FIELD GATE**  
Scale 1:20

**NOTE:**  
1. GATES SHALL COMPLY WITH THE APPROPRIATE CLAUSES IN SERIES 300, AND BS 3470.  
2. THE CORNERS OF THE MAIN FRAME MAY BE ROUNDED, ROUNDED AND MITRED (AS SHOWN), MITRES, SADDLED OR CRIMPED.  
3. GATE FITTINGS SHALL COMPLY WITH BS 3470.  
4. ALL FITTINGS SHALL BE GALVANIZED STEEL.  
5. GATE TO OPEN INTO THE FIELD, NOT TOWARDS THE ROAD.



**DROP KERB DETAIL FOR DRIVEWAYS ACROSS FOOTWAYS**  
SCALE 1:50

Rev.	Date	Description	Drawn	Checked	Approved
B	12/10/21	UPDATED FOLLOWING FEEDBACK FROM ANGUS COUNCIL.	BMACB	DA	DA
A	03/09/21	DRAWING RESIZED & MEADOWBANK VIEW PROPOSALS REMOVED	BMACB	DA	DA

Client:  
**CLOVA FARMS LTD**

Project Title:  
**MEADOWBANK VIEW AND MEADOWBANK GARDENS RCC APPLICATION**

Drawing Title:  
**RCC APPLICATION MEADOWBANK GARDEN**

<b>FAIRHURST</b>	
88 Queens Road, ABERDEEN, AB15 4YQ Tel: 01224 321 222 Fax: 01224 323 201	
Scale at A1: AS SHOWN	Status: For Approval
Drawn: BMacB	Checked: DA
Date: 30/08/21	Date: 30/08/21
Approved: DA	Date: 30/08/21
Drawing No.: 145271/1001	Revision: B