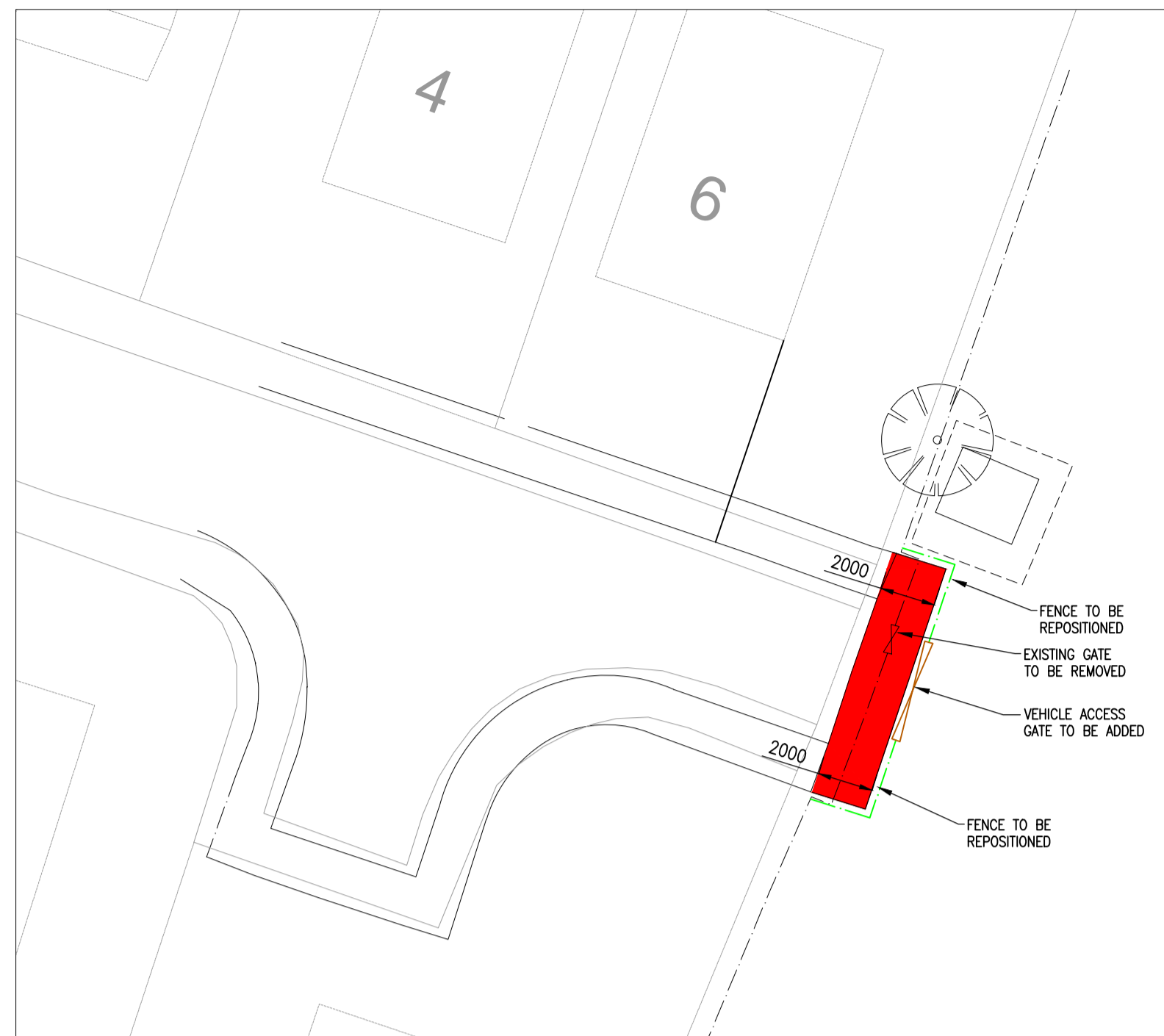
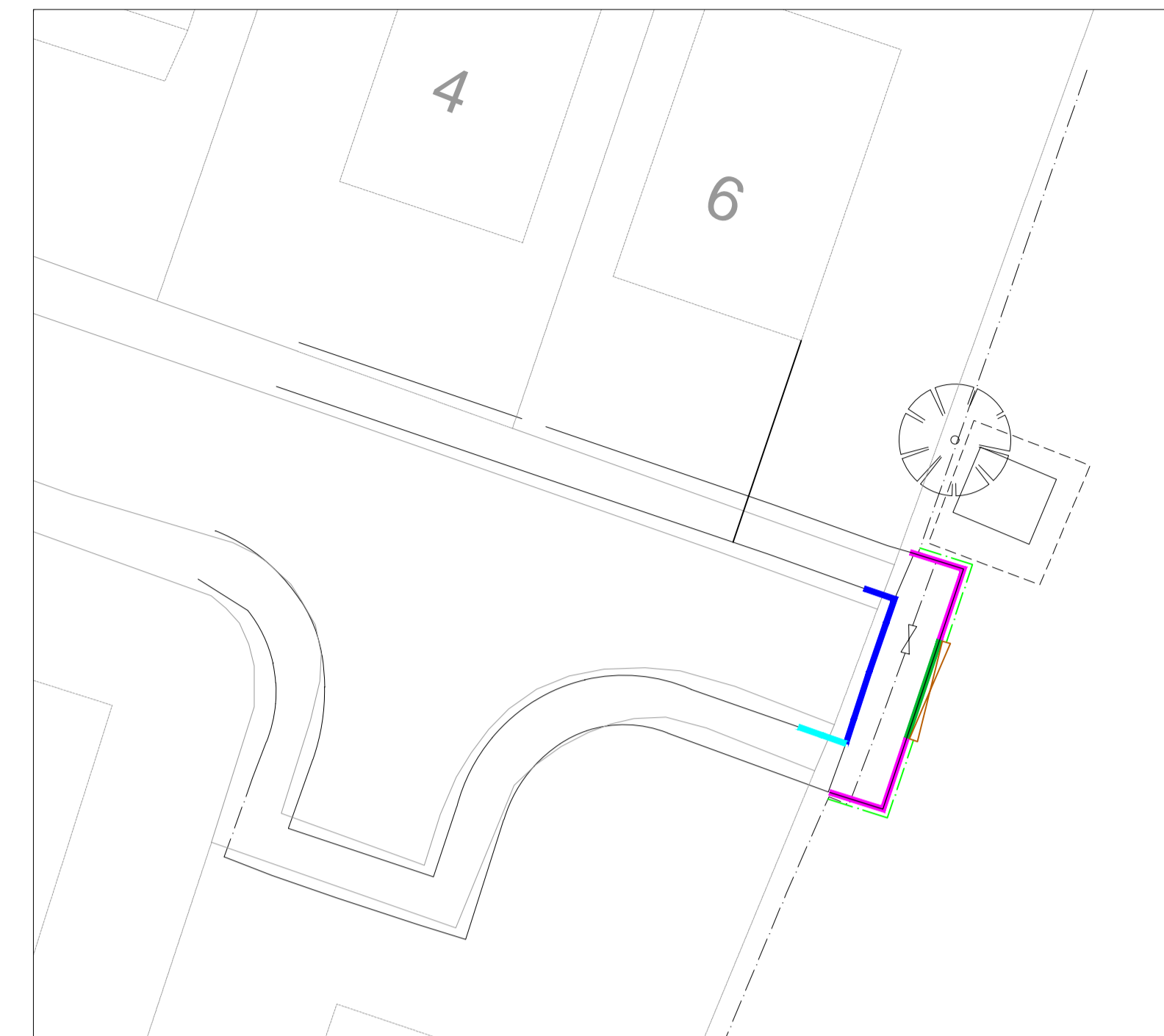


SITE LOCATION PLAN
SCALE 1:1000



MMEADOWBANK VIEW
SITE LAYOUT
SCALE 1:200



MEADOWBANK VIEW
KERB TYPE LAYOUT
SCALE 1:200

Do not scale from this drawing.

SAFETY HEALTH AND ENVIRONMENTAL INFORMATION

IN ADDITION TO THE HAZARD/RISKS NORMALLY ASSOCIATED WITH THE TYPES OF WORK DETAILED ON THIS DRAWING, NOTE THE FOLLOWING RISKS AND INFORMATION.

RISKS LISTED HERE ARE NOT EXHAUSTIVE. REFER TO DESIGN ASSESSMENT FORM NO.

CONSTRUCTION
NO SIGNIFICANT RESIDUAL HAZARDS WERE IDENTIFIED THAT A COMPETENT CONTRACTOR WOULD NOT BE AWARE OF.

DEMOLITION
NOT APPLICABLE.

FOR INFORMATION RELATING TO USE, CLEANING AND MAINTENANCE SEE THE HEALTH AND SAFETY FILE.

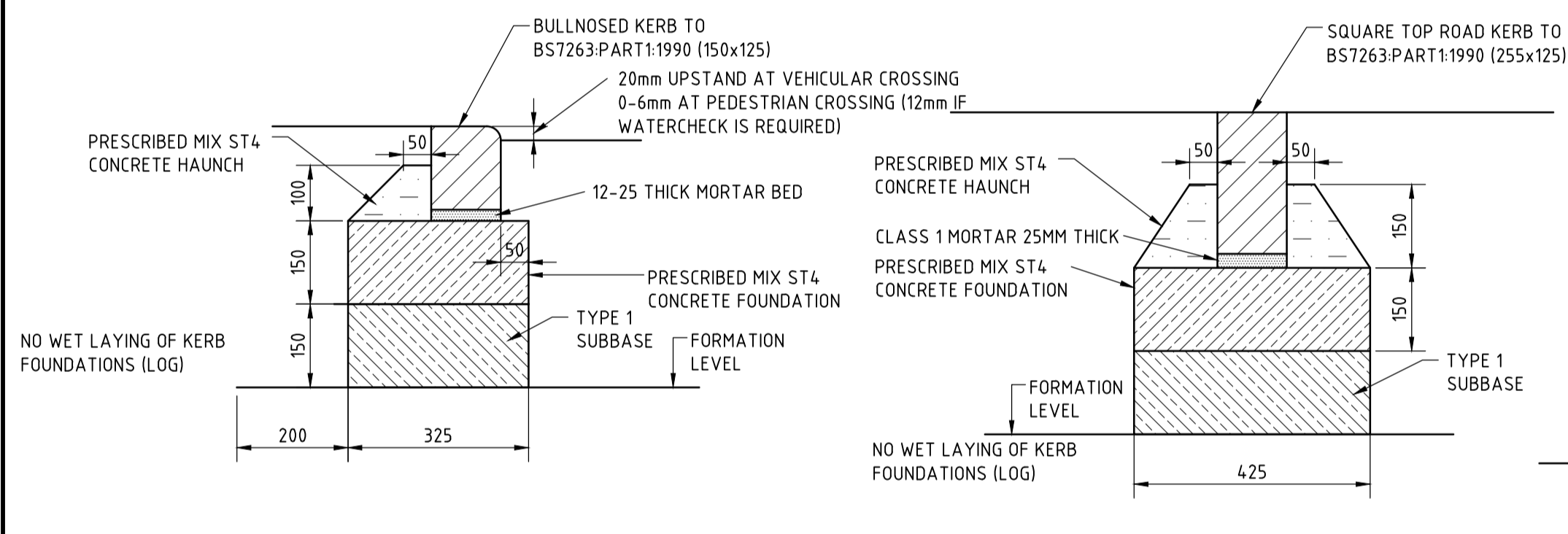
IT IS ASSUMED THAT ALL WORKS WILL BE CARRIED OUT BY A COMPETENT CONTRACTOR WORKING, WHERE APPROPRIATE, TO AN APPROVED METHOD STATEMENT.

LEGEND

- BULLNOSED ROAD KERB - DETAIL B
- FLAT TOP ROAD KERB - DETAIL C
- TAPER ROAD KERB
- FLAT TOP EDGING KERB - DETAIL D
- AREA OF FOOTWAY TO BE ADOPTED BY ANGUS COUNCIL

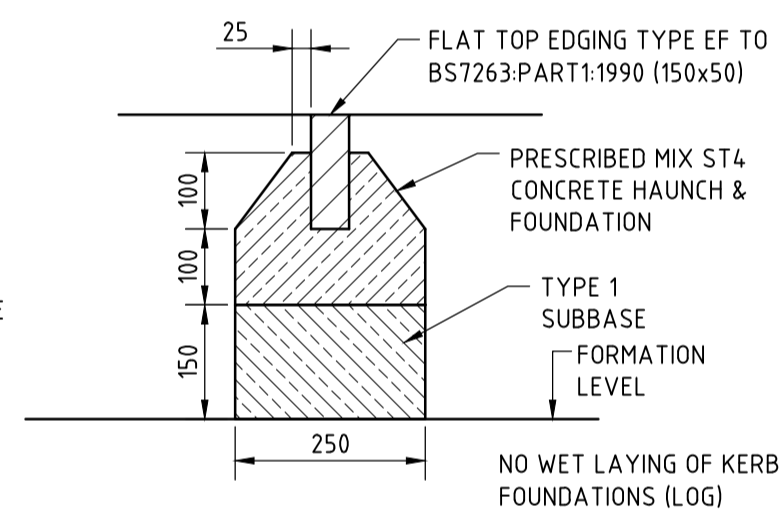
ADOPTION LEGEND

- BITMAC FOOTWAY

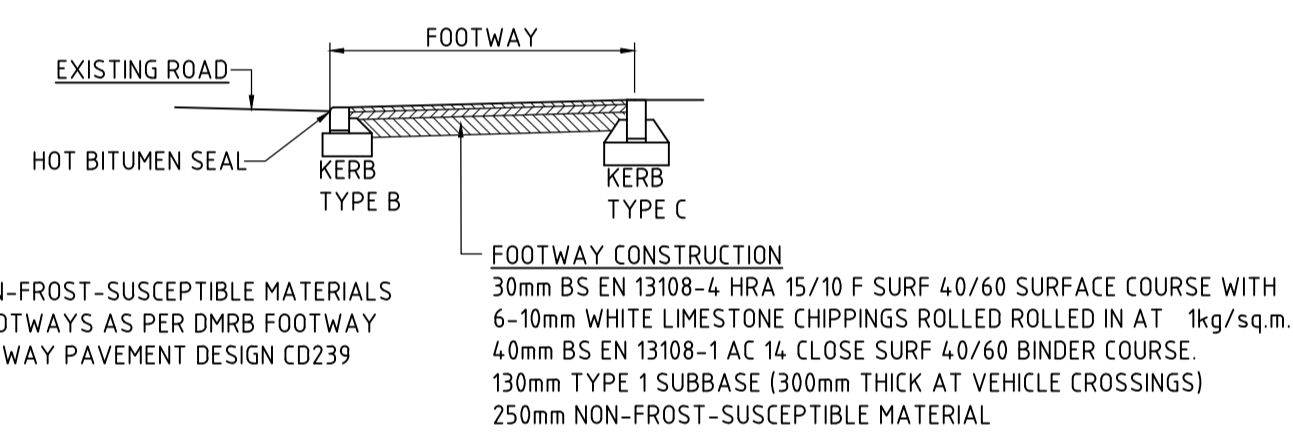


BULLNOSED ROAD KERB DETAIL B
SCALE 1:10

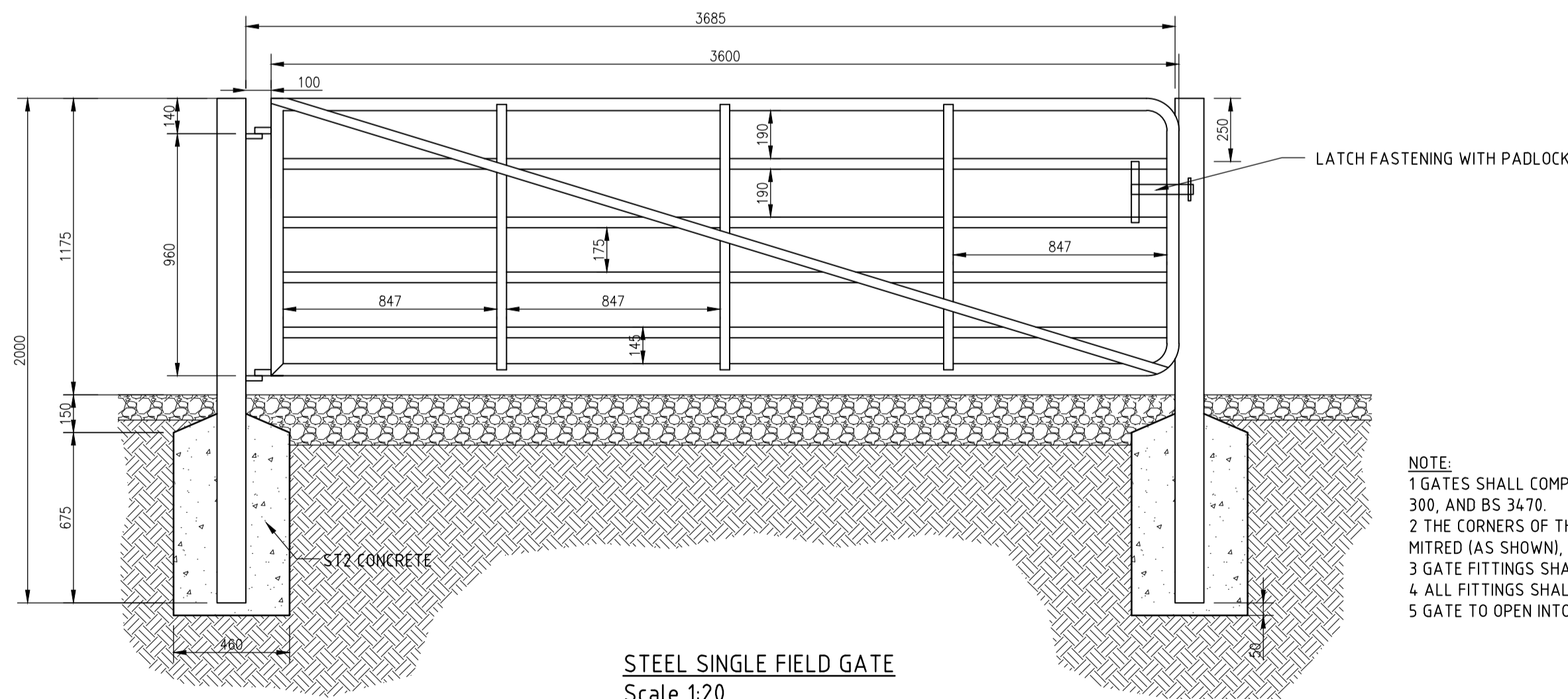
FLAT TOP ROAD KERB DETAIL C
SCALE 1:10



FLAT TOP EDGING KERB DETAIL D
SCALE 1:10

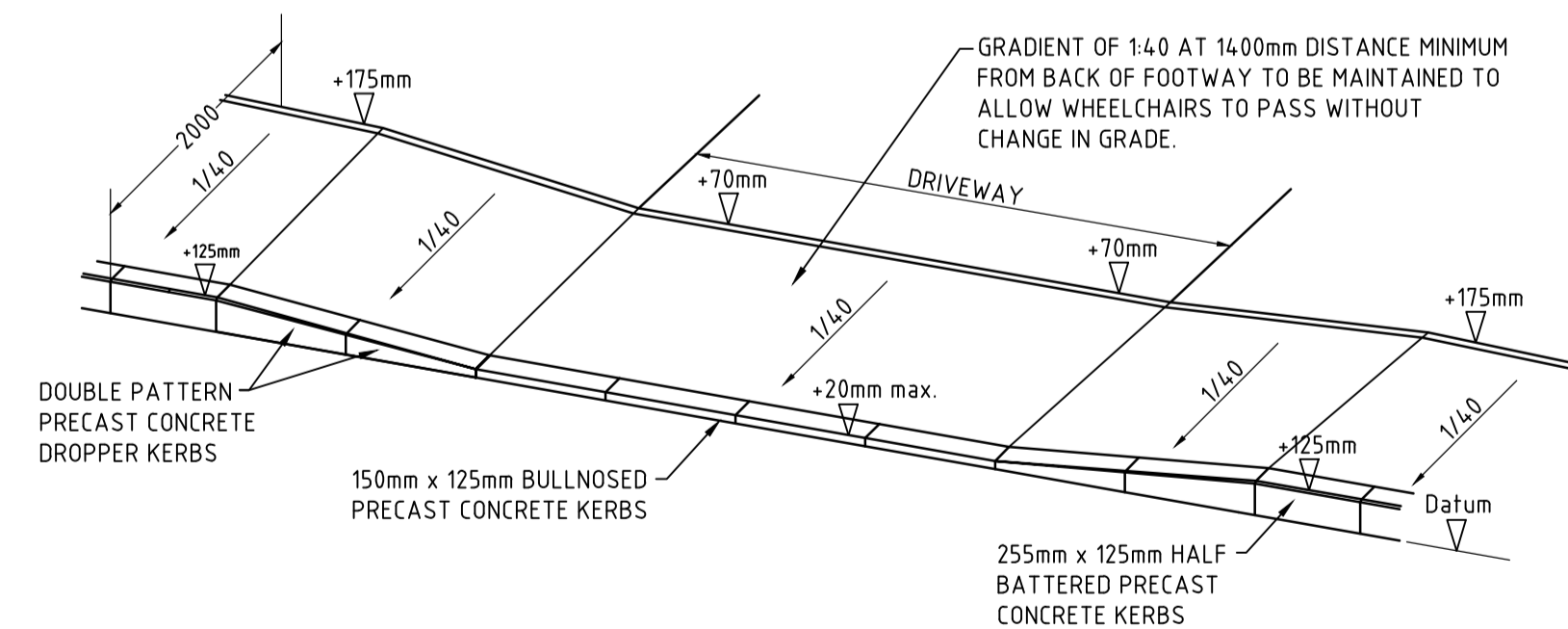


FOOTPATH CROSS SECTION
SCALE 1:50



STEEL SINGLE FIELD GATE
Scale 1:20

- NOTE:**
- GATES SHALL COMPLY WITH THE APPROPRIATE CLAUSES IN SERIES 300, AND BS 3470.
 - THE CORNERS OF THE MAIN FRAME MAY BE ROUNDED, ROUNDED AND MITRED (AS SHOWN), MITRES, SADDLED OR CRIMPED.
 - GATE FITTINGS SHALL COMPLY WITH BS 3470.
 - ALL FITTINGS SHALL BE GALVANIZED STEEL.
 - GATE TO OPEN INTO THE FIELD, NOT TOWARDS THE ROAD.



DROP KERB DETAIL FOR DRIVEWAYS ACROSS FOOTWAYS
SCALE 1:50

Rev.	Date	Description	Drawn	Checked	Approved
A	14/10/21	UPDATED FOLLOWING FEEDBACK FROM ANGUS COUNCIL.	DA	CW	DA

Client:
CLOVA FARMS LTD

Project Title:
MEADOWBANK VIEW AND MEADOWBANK GARDENS RCC APPLICATION

Drawing Title:
RCC APPLICATION MEADOWBANK VIEW

FAIRHURST

88 Queens Road, ABERDEEN, AB15 4YQ
Tel: 01224 321 222 Fax: 01224 323 201

Scale at A1: AS SHOWN
Status: For Approval

Drawn: BMacB
Checked: DA
Date: 03/09/21

Approved: DA
Date: 03/09/21
Revision: 03/09/21

Drawing No.: **145271/1002**