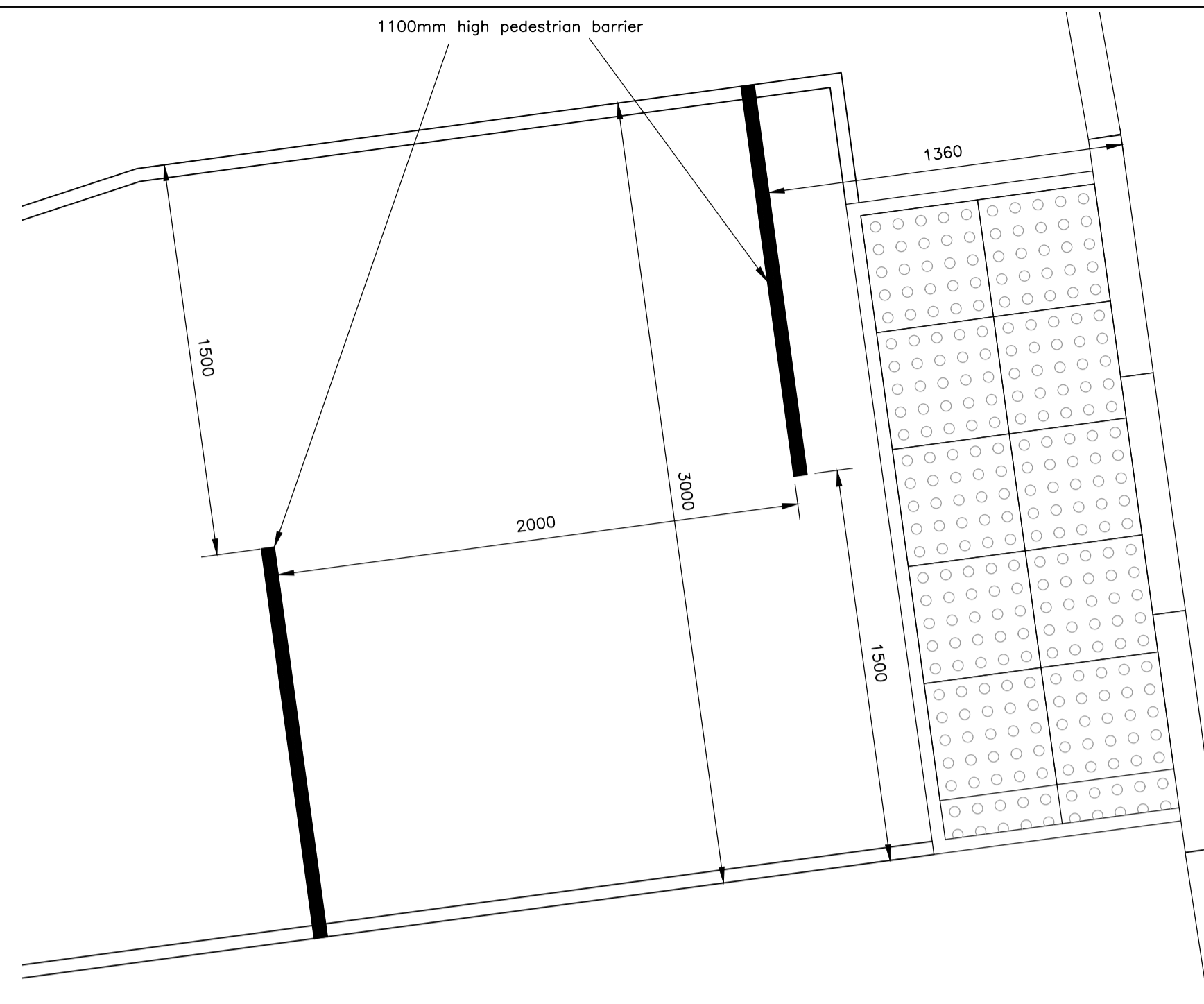
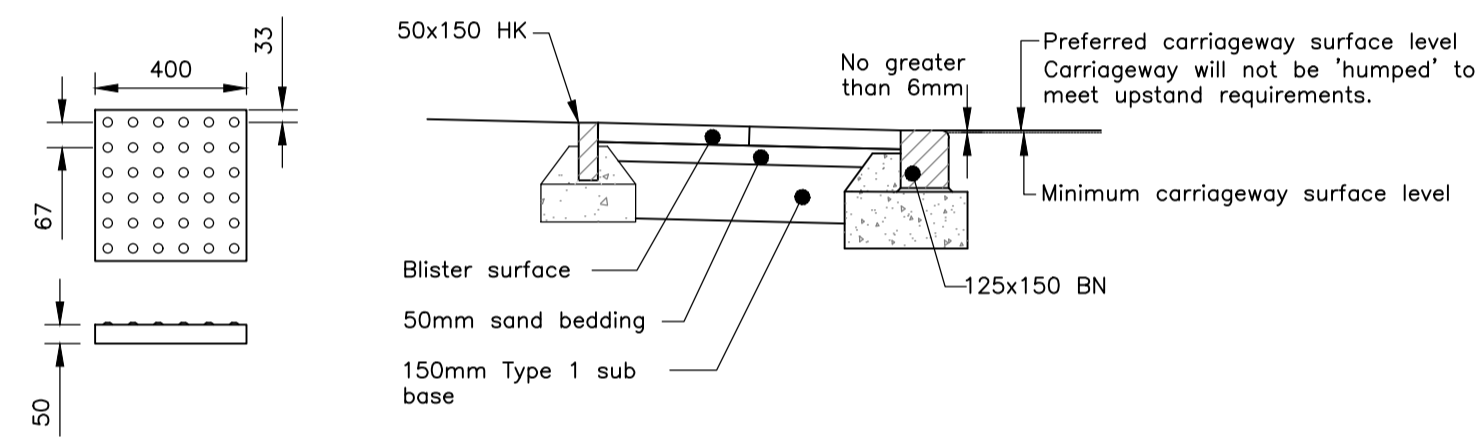


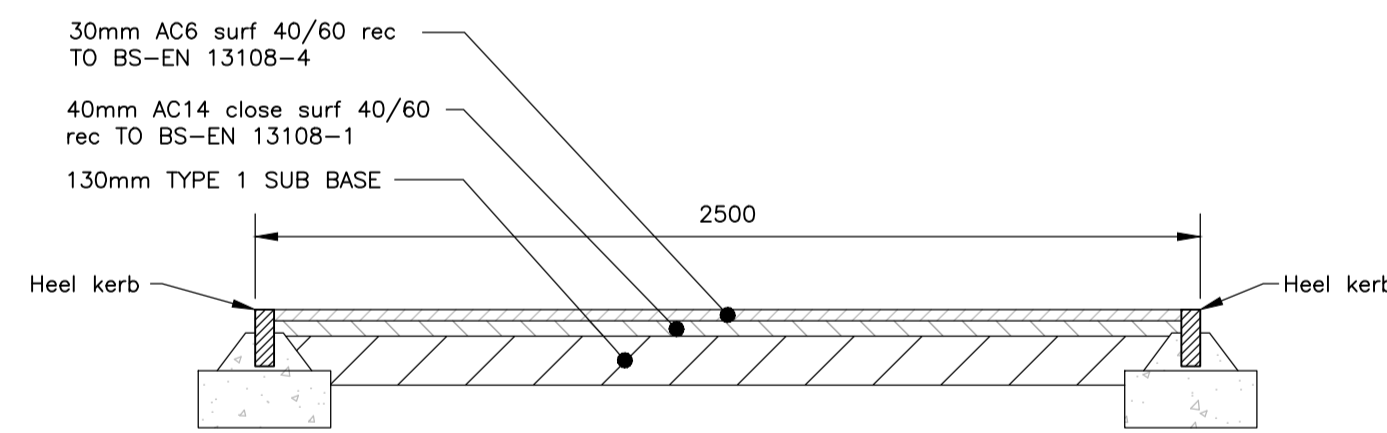
Proposed Nature Trail Link North



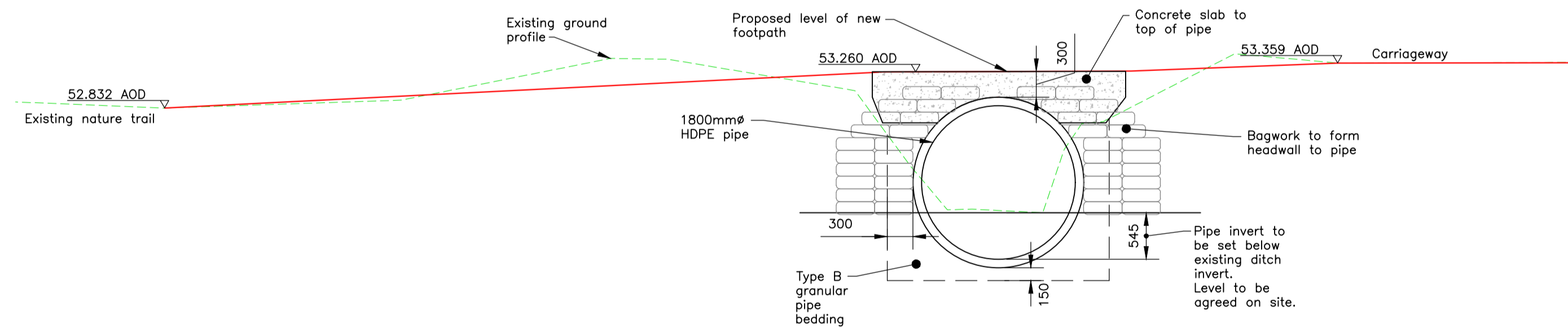
Chicane Details



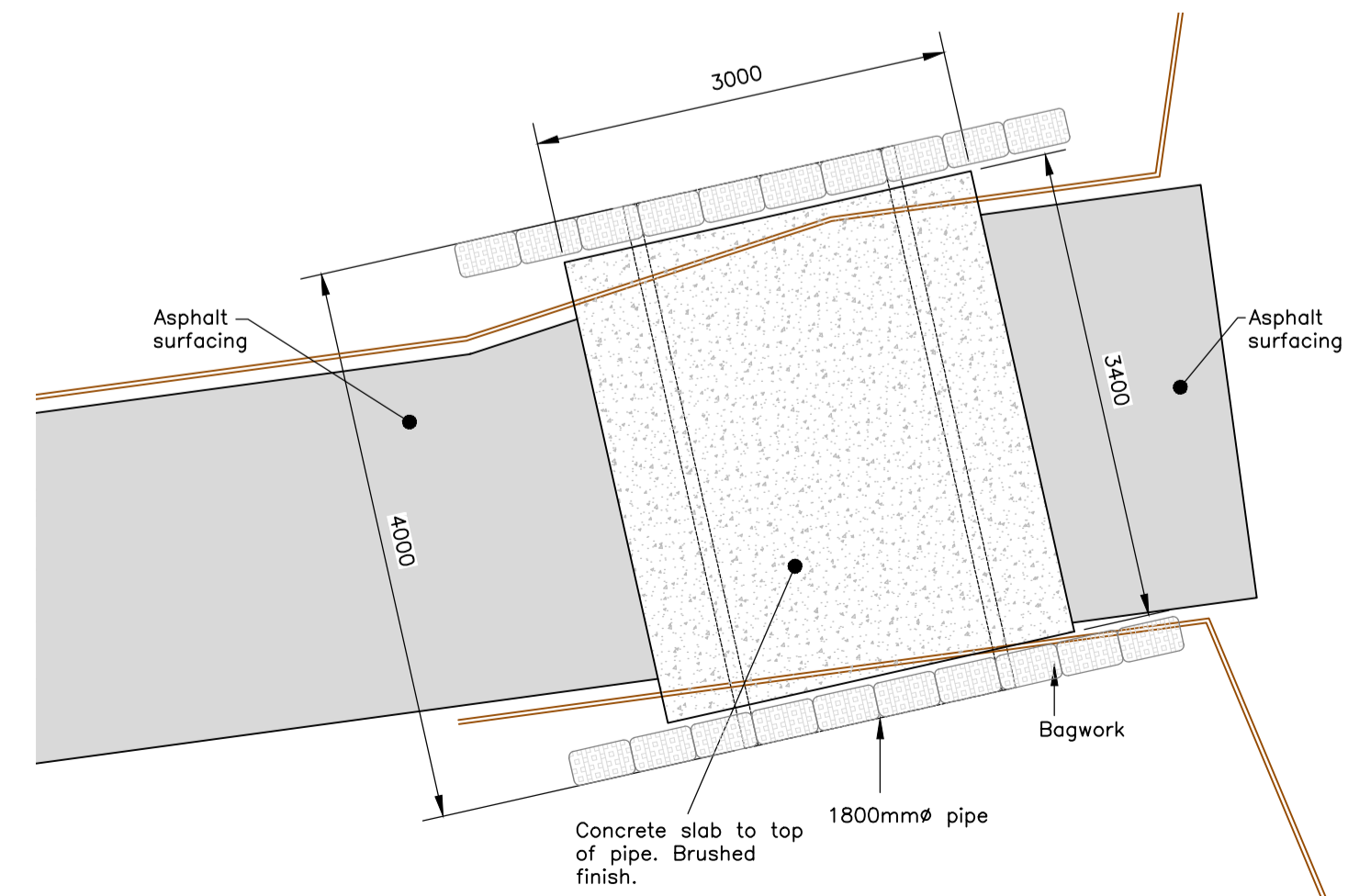
Tactiles Details



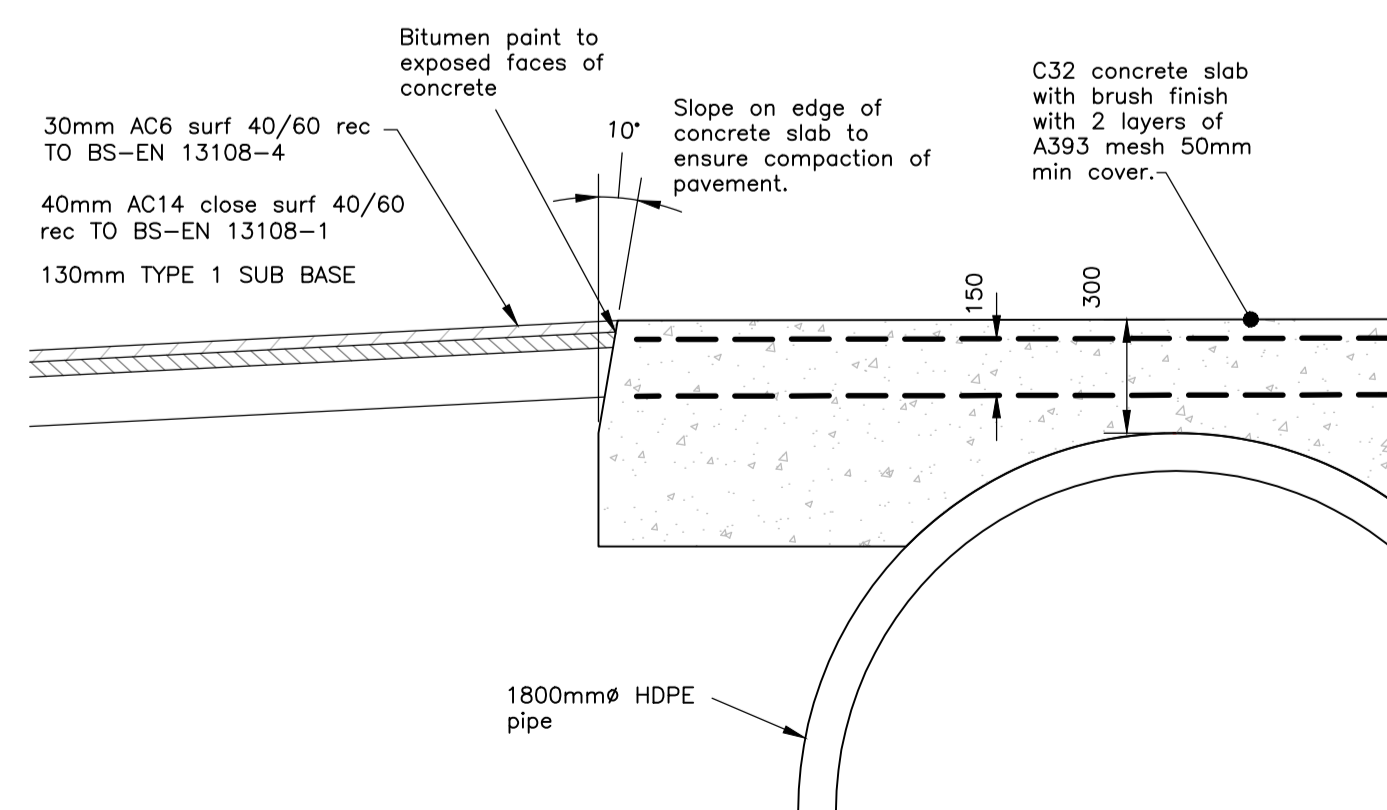
Footpath Cross section



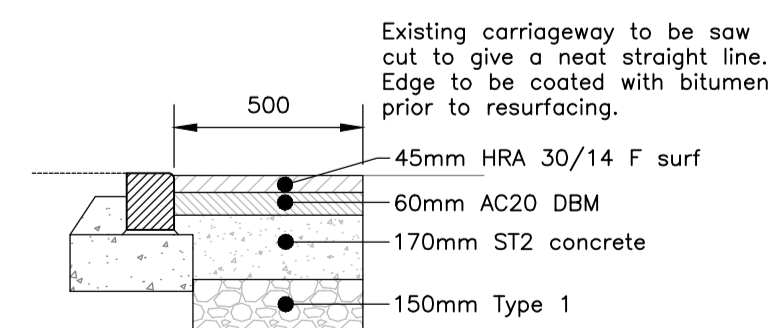
Section 1-1



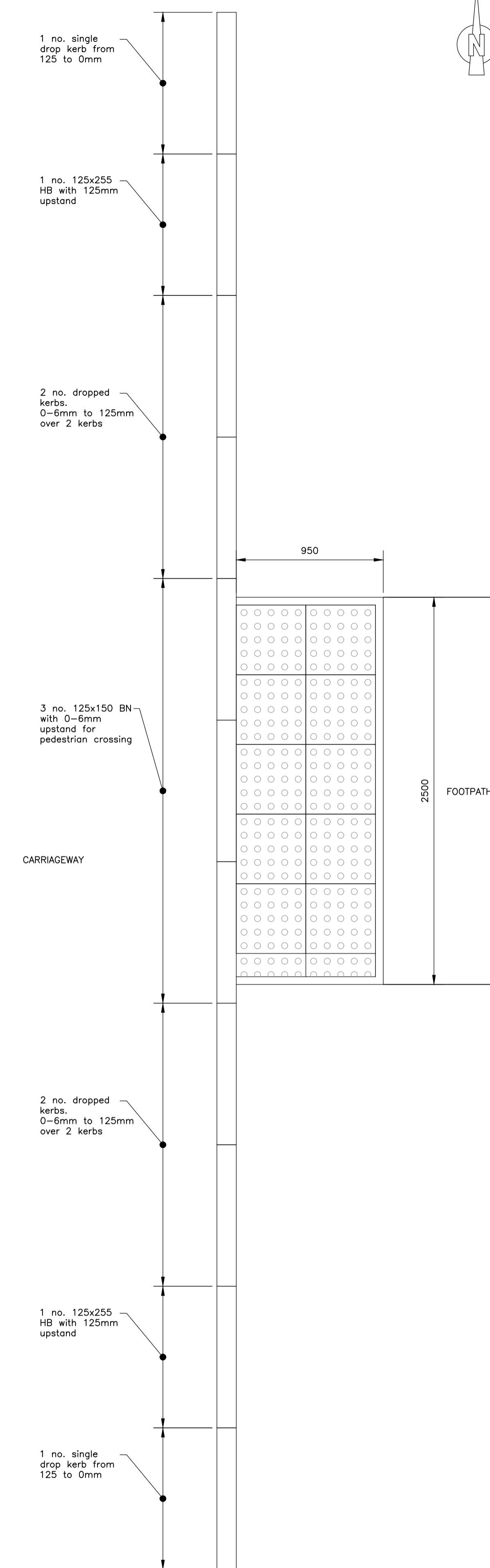
Plan View of Burn Crossing



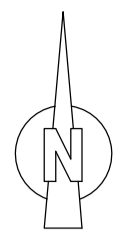
Footpath Details



Carriageway Reinstatement Detail



Crossing Point Details



- NOTES
1. All dimensions are in millimetres unless noted otherwise.
  2. Only drawings with "Construction" status may be used for construction purposes.
  3. Do not scale off drawings.

CO	Construction Issue	01.09.23	DL
Rev	Revision Details	Date	Checked

Project Title	
Drumachie Loan Accessibility Improvements	
Drawing Title	
Nature Trail North Link Footpath Details	
Issue	: Construction
Project No.	: 93001055
Drawing No.	: DLAI - 012
Drawing Size	: A1
Drawn By	: DL
Drawn Date	: 10.07.23
Checked By	: ED
Checked Date	: 24.07.23
Approved By	: ED
Approved Date	: 24.07.23



File Path: C:\Users\DLAI\Documents - Angus Council\Bumachie Loan Design - Footpath Construction\DLAI - 012 - 012 - 012.dwg  
 This map is reproduced from the Ordnance Survey material with the permission of Ordnance Survey on behalf of the Controller of HMSO. © Crown Copyright. Unauthorised reproduction infringes Crown Copyright and may lead to prosecution or civil proceedings. Angus Council 10023404, 2023